



US005803838A

**United States Patent** [19]  
**DeMarini et al.**

[11] **Patent Number:** **5,803,838**  
[45] **Date of Patent:** **Sep. 8, 1998**

[54] **DROGUE FOR SPORT BATS AND CLUBS**

FOREIGN PATENT DOCUMENTS

[75] Inventors: **Raymond DeMarini**, Hillsboro, Oreg.;  
**Troy Loney**, Mount Holly, N.J.

2093706 9/1982 United Kingdom ..... 273/199 A

OTHER PUBLICATIONS

[73] Assignee: **DeMarini Sports, Inc.**, Hillsboro, Oreg.

Statement of Troy Loney, dated 4 Dec. 1996.

*Primary Examiner*—Mark S. Graham  
*Attorney, Agent, or Firm*—Klarquist Sparkman Campbell  
Leigh & Whinston, LLP

[21] Appl. No.: **612,641**

[57] **ABSTRACT**

[22] Filed: **Mar. 8, 1996**

[51] **Int. Cl.<sup>6</sup>** ..... **A63B 69/00**

[52] **U.S. Cl.** ..... **473/437; 473/457; 473/228;**  
244/142

[58] **Field of Search** ..... 473/457, 228,  
473/437, 422; 273/199 A; 244/142; 482/74,  
111

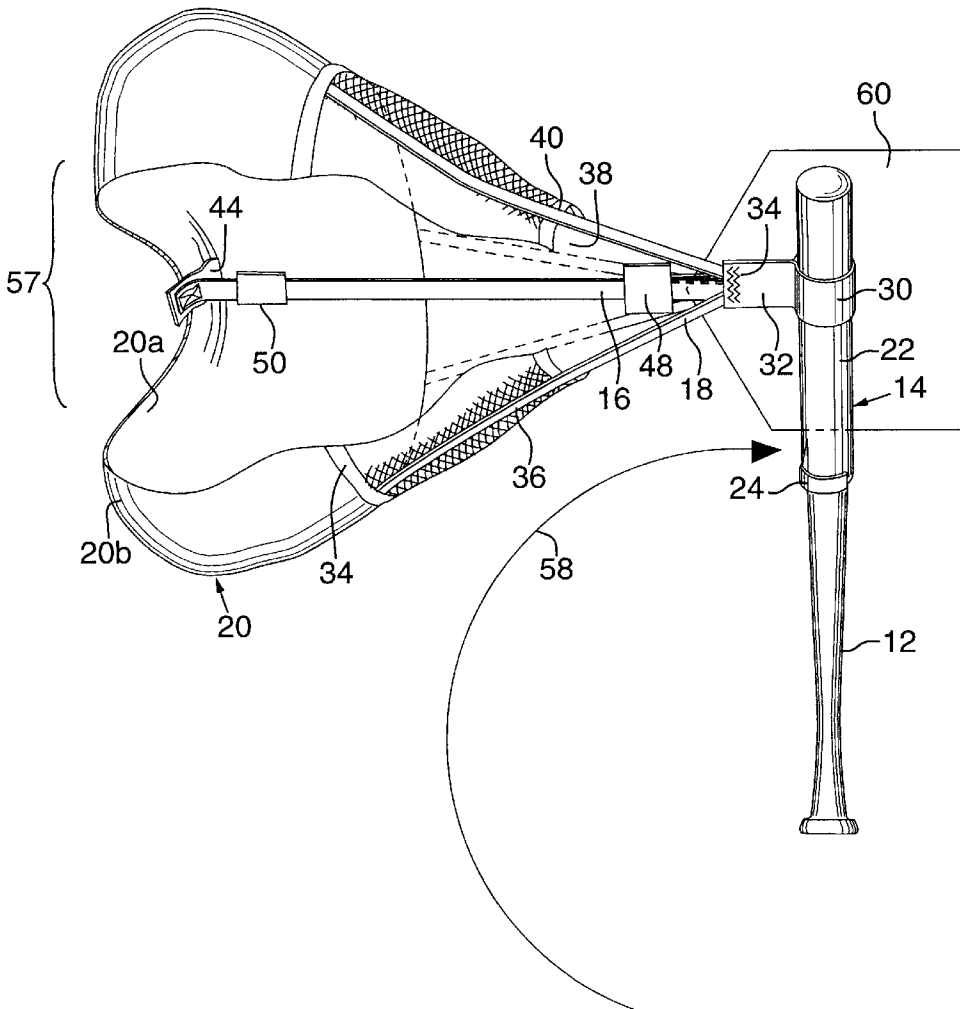
A drogue chute for increasing aerodynamic resistance against the movement of a swinging sport implement such as a bat, racket or club. The drogue includes a canopy that attaches to the sport implement by suspension lines. When the sport implement is swinging, the canopy inflates to create a relatively high aerodynamic drag. The drogue may also include a break-away fastener. When the fastener is connected, the canopy is reefed so that the drogue provides relative little aerodynamic drag to the sport implement. When the sport implement reaches a sufficient speed, the fastener disconnects allowing the canopy to inflate thereby providing a sudden increase in aerodynamic resistance.

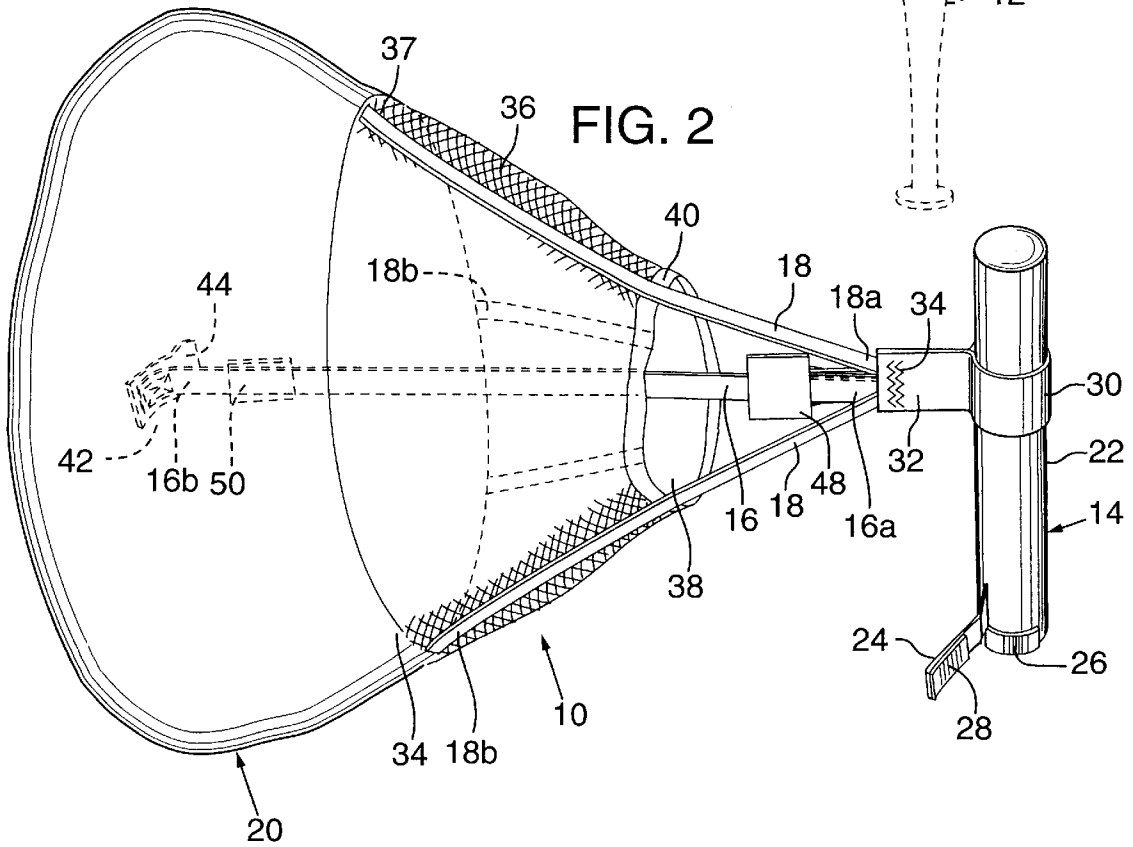
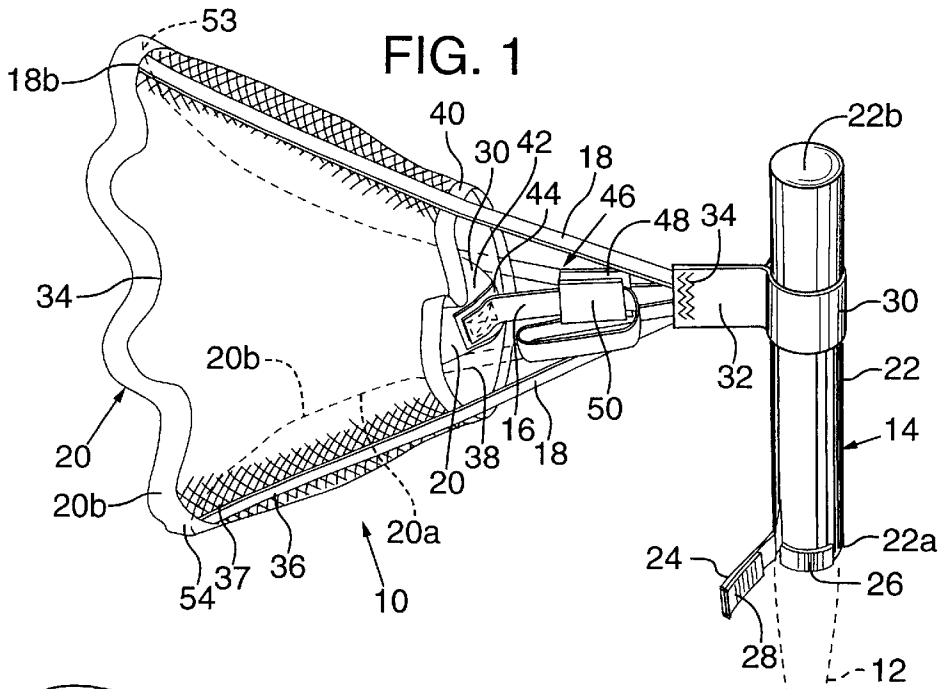
[56] **References Cited**

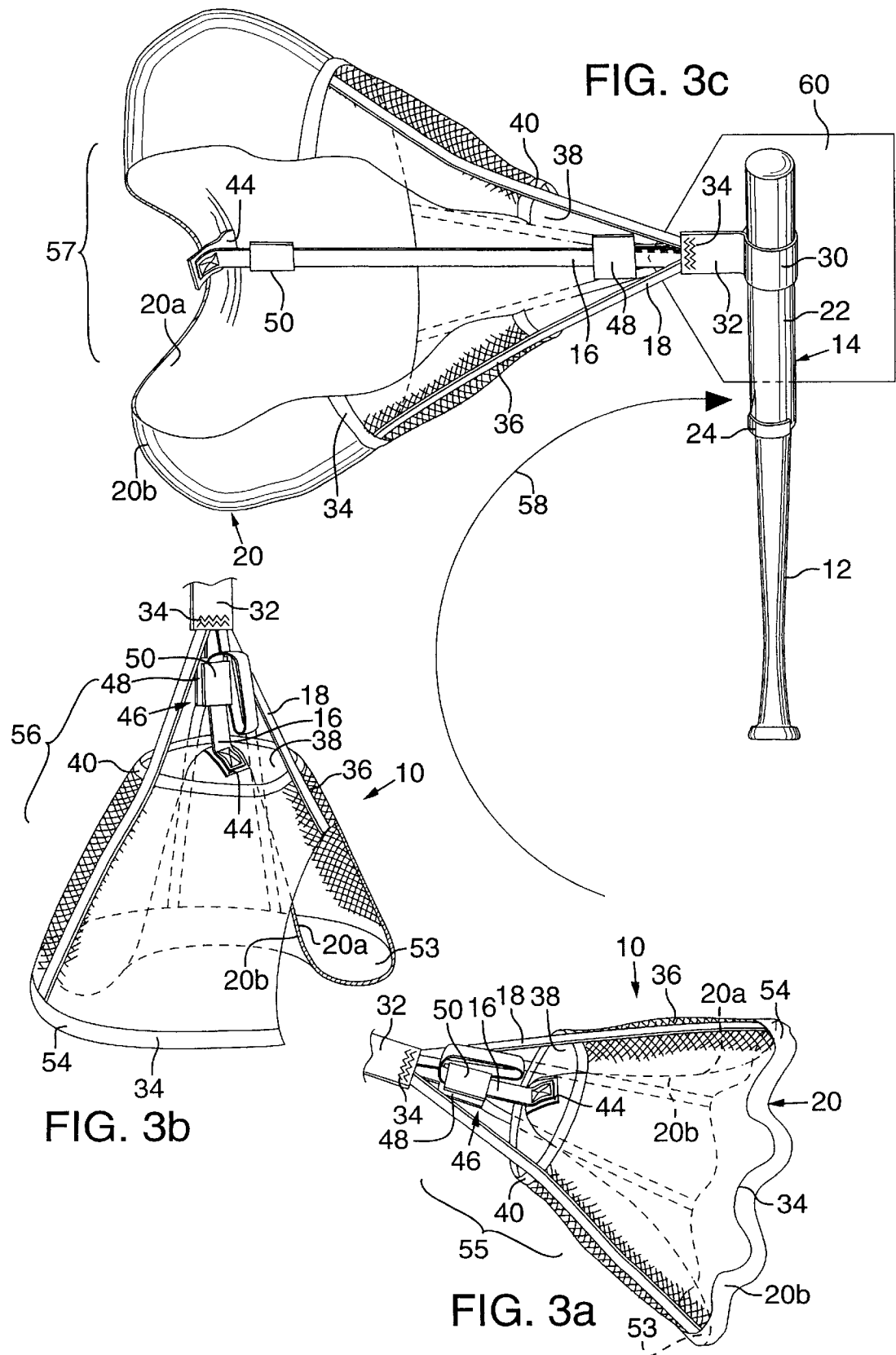
U.S. PATENT DOCUMENTS

3,416,803 12/1968 Batista ..... 473/228  
4,907,800 3/1990 Passamaneck et al. .... 473/457  
5,207,625 5/1993 White ..... 473/457

**12 Claims, 2 Drawing Sheets**







## DROGUE FOR SPORT BATS AND CLUBS

## FIELD OF THE INVENTION

The present invention pertains to an apparatus for providing resistance to the swinging of sports implements such as bats, clubs, and rackets.

## BACKGROUND OF THE INVENTION

In baseball and softball, power is important to batting performance. Particularly important, is the batter's power at ball impact. Greater power means the ball can be hit further.

To improve batting power, players can swing an unweighted, ordinary bat or a weighted bat. Weighted bats are more effective for improving batting power because greater force is required to accelerate the bat. Such weighted bats may be specially constructed solely to permit players to practice their swing or warm up. Alternatively, one or more donut-shaped weights can be removably mounted on an ordinary bat for these purposes.

However, weighted bats have drawbacks because their larger mass adds downward gravitational force that is not present in ordinary bats. Such downward force may feel unnatural to a batter and adversely effect the batter's batting form. Excessive weighting of the bat may even harmfully strain a player. Moreover, as with an unweighted bat, swinging a weighted bat does not simulate the impact of the bat against a ball. Thus, there is a need for a training device that builds a batter's swinging power and simulates an unweighted bat striking a ball.

## SUMMARY OF THE INVENTION

The present invention is a drogue chute that attaches to a sport implement (i.e., a bat, club or racket) such that by swinging the implement, the chute inflates to provide aerodynamic drag on the sport implement without adding significant downward force associated with weighted bats. Additionally, in a preferred embodiment, the drogue can be reefed so that the drogue unreefs when the implement is swung with sufficient speed to allow the chute to open suddenly to simulate the impact of the implement against an object such as a ball.

In a preferred embodiment the drogue includes a canopy and suspension lines attached to a sleeve that is fitted onto a bat. During bat swing, the canopy inflates to substantially increase aerodynamic drag on the bat. A center line may be used to connect to a central portion of the canopy to increase aerodynamic drag of the inflated canopy. Additionally, a reef tape having a break-away fastener may be used to reef the canopy so that it has low aerodynamic drag. When the bat is swung with sufficient speed the fastener breaks away thus unreefing the canopy so that it can inflate suddenly into a high aerodynamic drag configuration to simulate an impact of the bat and a ball. Preferably, the functions of the center line and the reef tape are combined as a single tape that extends between a central portion of the canopy and the sleeve.

## BRIEF DESCRIPTION OF THE DRAWINGS

FIG. 1 is a perspective view of a preferred embodiment of a drogue chute of the present invention in a reefed configuration and attached to a bat shown in phantom.

FIG. 2 is a perspective view of the drogue of FIG. 1, showing the drogue in an open, or inflated, configuration.

FIGS. 3a, 3b, and 3c are top plan views of the drogue of FIG. 1 at various positions during a practice swing of the ball bat.

## DETAILED DESCRIPTION OF THE PREFERRED EMBODIMENTS

FIGS. 1 and 2 show a drogue 10 in accordance with one embodiment of the present invention. The figures and description refer primarily to use of the drogue with ball bats, but the present invention also may be applied to golf clubs, tennis rackets, and other sports implements. In FIG. 1 the drogue 10 is attached to a ball bat 12 (shown in phantom).

An overview of the operation of the present invention will assist in understanding the detailed description. Briefly, the drogue can be attached to a bat and reefed so that it has low aerodynamic resistance. The bat, and drogue are swung, increasing speed throughout the swing. When the bat and drogue reach sufficient speed, the drogue will suddenly unreef and inflate, thus substantially increasing aerodynamic resistance. It is the sudden increase in aerodynamic resistance that simulates bat-ball impact.

An alternative use for the drogue is as an aerodynamic decelerator whereby the drogue is attached to a bat in its unreefed configuration and the bat is swung back and forth. This training method provides a bat with a large resistance to swinging but no substantial extra downward force. Training with the drogue of the present invention is believed to improve a batter's power.

The drogue 10 can be configured as reefed (represented in FIG. 1) and "open," or inflated, (represented in FIG. 2). When reefed, the drogue is furled and provides little air resistance when pulled through the air. When inflated, the drogue produces maximum aerodynamic resistance.

The drogue 10 includes an attachment device 14, reef tape 16, suspension lines 18, and a canopy 20. The attachment device 14 couples to the bat 12 thus attaching the canopy 20 to the bat. The suspension lines 18 extend between the attachment device 14 and the canopy 20.

When coupling to a bat, the preferred embodiment of the attachment device 14 is a sleeve 22 with an open end 22a and a closed end 22b. The sleeve fits over a large diameter end of the bat 12. A cinch strap 24, near the open end of the sleeve 22 tightens over a tapered portion of the bat to secure the sleeve to the bat. Preferably, the cinch strap 24 is a hook and pile fastener 26 for ease in donning and doffing the sleeve.

The sleeve 22 is preferably made of nylon fabric and is sized to fit a variety of bat diameters satisfactorily. To improve the fit of the sleeve over bats of various diameters, the sleeve may also be provided with additional cinch members (not shown) along the length of the sleeve. It is also contemplated that sleeves of different diameters may be offered to custom fit particular bats. Also, the sleeve may be fabricated of an elastic material to fit snugly on a bat.

A nylon belt 30 encircles the sleeve 22 near the sleeve closed end 22b. The belt 30 includes distal belt ends 32 that overlap and extend radially from the sleeve 22. The suspension lines 18 include first ends 18a that are attached to the belt ends 32 and secured in place by stitches 34. The reef tape also includes a first end 16a that is attached to the belt ends 32.

The suspension lines 18 and reef tape 16 extend from the belt to the canopy 20. The canopy 20 is preferably a circular piece of nylon fabric having low air permeability. The canopy surface defines an inner surface 20a and an outer surface 20b.

Preferably, there are four suspension lines 18 that are stitched to the canopy at evenly spaced positions along a

peripheral margin **34** of the canopy. The suspension lines **18** attach to the canopy **20** at their second ends **18b**.

To prevent the canopy from becoming entangled with the suspension lines **18** (e.g., by inverting and passing between two adjacent suspension lines) air-permeable netting **36** extends circumferentially between the four suspension lines **18**. The netting has a circular shape (when laid flat) with an outer margin **37** and a central, circular cutout defining an inner margin **38**. The outer margin **37** is stitched to the canopy peripheral margin **34**. The netting **36** is also stitched to the suspension lines **18**. The inner margin **38** of the netting **36** is spaced about three and one-half inches from the belt **30** and a reinforcing nylon ribbon **40** is stitched along the inner margin **38**.

The reef tape **16** extends from the belt **30** to a central portion **42** of the canopy **20**. An end **16b** of the reef tape is attached to a reinforcing patch **44** stitched to the canopy within the central portion **42**.

In the reefed configuration shown in FIG. 1, a release device **46** acts to effectively shorten the length of the reef tape **16** in order to partially invaginate the canopy **20**. The preferred release device **46** is a hook and pile fastener including a pile pad **48** connected to the reef tape **16** near the end **16a**, and a hook pad **50** connected to the reef tape near the end **16b**. Connecting the hook pad **50** to the pile pad **48** brings the reef tape ends **16a**, **16b** closer together, thus invaginating the central portion of the canopy, locating it substantially within the netting **36** between the suspension lines **18**. Preferably, the pile pad **48** is easily replaceable because the pads can wear out with use.

When the canopy is reefed (FIG. 1), all but an annular portion near the peripheral margin **34** of the canopy is invaginated. In other words, substantially the entire outer surface **20b** of the canopy **20** faces radially inward only the canopy outer surface **20b** along the peripheral margin **34** faces outward. The uninverted canopy peripheral margin **34** and an adjacent region of the inverted portion of the canopy form a generally annular trough **53** about the periphery of the closed canopy **20**. During swinging of the bat **12**, the trough **53** fills with air to assist with opening canopy **20**.

The size of the trough affects the speed at which the release device will decouple. A larger trough will catch more air and create a large force in the reef tape. The size of the trough may be controlled by the location of the hook and pile pads, **50**, **48**. If the pads are near the reef tape ends **16a**, **16b**, the amount of invagination will be greater and the trough **53** will be smaller.

As shown in FIG. 2, unfastening the hook and pile pads **50**, **48** permits the reef tape **16** to extend to its full length, permitting the canopy to inflate into its open configuration. When extended, the reef tape acts like a centerline on a parachute, and the length of the reef tape determines the inflated shape of the canopy **20**. In the preferred embodiment, the reef tape restrains the center portion of the canopy so that the canopy has a shape similar to the surface of a tooth; that is, it has tapered sides and a slightly inverted "crown" at the center portion **42**. A longer reef tape **16** would allow the center portion **42** to be less inverted, while a shorter reef tape would make the center portion more inverted. The inflated shape of the canopy **20** affects the aerodynamic drag of the drogue. A very long, or absent, reef tape **16** would allow the canopy to assume a substantially spherical shape having a certain coefficient of aerodynamic resistance. Pulling in the center portion **42** of the canopy **20** will increase the aerodynamic coefficient up to a maximum. Further shortening of the reef tape **16** will begin invaginat-

ing the canopy, thus reefing it, and the aerodynamic coefficient will decrease.

#### Operation

The operation of the drogue **10** is shown in FIGS. **3a-3c**. In FIG. **3a** the drogue is shown at an initial position **55** (just after the swing has started). In FIG. **3b**, the drogue is shown at an intermediate position **56** in mid-swing. In FIG. **3c** the bat and drogue are shown at an impact position **57** with the drogue fully inflated. These positions occur along a swing path **58**. The impact position **57** is the position in the swing where impact with a ball would be expected. For ease of understanding, the impact position **57** is shown with reference to a "home plate" **60**.

To use the drogue to simulate hitting a ball, a batter slides the sleeve **22** over the bat **12** and tightens the cinch strap **24**. The release device hook pad **50** is then fastened to the pile pad **48** (FIG. 1) to place the canopy **20** in the reefed configuration. The bat is then ready for swinging.

Before the swing is initiated, the drogue hangs downwardly from the bat (not shown). Immediately after the swing is begun, as shown in FIG. **3a** at position **55**, the drogue swings upwardly to follow the bat **12** through the swing path **58**. Due to its lightweight construction, the drogue adds negligible weight to the bat and accordingly does not produce any significant gravitational force that could adversely effect the batter's training.

In the initial swing position **55** (FIG. **3a**), the reefed drogue provides relatively little air resistance. As the swing continues and bat speed increases, the trough **53** formed by the uninverted peripheral margin **34** rapidly fills with air to expand the invaginated portion of the canopy radially inward, as shown at position **56** (FIG. **3b**). The resistance provided by the reefed canopy increases with bat speed, generating an increasing tensile force along the reef tape **16** which is transmitted across the coupled pile and hook pads **48**, **50**.

Sometime before impact position **57** (FIG. **3c**), the bat speed reaches a threshold speed at which the resistance of the reefed canopy **20** generates a selected threshold tensile force on the reef tape **16** that detaches the hook pad **50** from the pile pad **48**, thereby permitting the canopy **20** to inflate. The opening of the canopy, and the attendant increase in resistance, is quick, thus closely simulating impact with a ball. Furthermore, the resistance force generated by the opened canopy **20** is directed along the plane of the swing path **58**, much like the resistance generated by an impact with a ball. The amount of resistance force can be increased or decreased by changing the length of the reef tape **16** as described above. The present embodiment has a reef tape with a fixed length; however, alternative embodiments may include an adjustable length reef tape. The nearly instantaneous increase in resistance has a natural feel, and is highly effective for improving a batter's power at ball impact without compromising batting style.

The canopy remains open through the follow-through portion of the swing (not shown) to build the batter's follow-through strength.

After the swing is complete, the batter may quickly prepare for another swing by attaching the release device hook pad **50** to the pile pad **48**. In order to facilitate such reclosing of the drogue, the reef tape **16** may be made of red nylon to permit easy visual identification of the release device hook pad **50** and pile pad **48**.

The present release device **46** also permits the batter to conveniently adjust the threshold tensile force (and thus the

## 5

threshold speed of the bat) required for separating the hook and pile pads to permit inflation of the canopy **20**. The batter may selectively mesh only portions of the pads or vary the pressure of the pad meshing, in order to selectively control the bat speed at which the canopy opens. In other words, the batter may adjust the sensitivity of the release device to customize the training.

An alternative operative mode is to simply swing the bat **12** back and forth with the drogue in the unreefed configuration. Because the drogue is lightweight, the downward force is inconsequential.

In a preferred embodiment the canopy **20** is formed from a **30** inch circular piece of nylon. The suspension lines are  $\frac{3}{8}$  inch nylon tape approximately 15 inches long. The reef tape **16** is a  $\frac{1}{2}$  inch nylon tape approximately 15 inches long.

Numerous additions, substitutions, and modifications to the above embodiment fall within the scope of the invention. For instance, materials such as plastic and cloth may also be used for various drogue components. Other fastening means such as heat welding, ultrasonic welding, and adhesives may be used to fasten together the drogue.

An alternative reef tape **16** may be an elastic cord, such as a bungee cord, that rapidly stretches at a selected tensile force. An elastic cord reef tape would produce a different feel than the nylon reef tape described above. The elastic reef tape would not provide the sudden lengthening of the reef associated with the quick decoupling of the hook and pile fastener.

In another alternative embodiment, the reef tape may be dispensed with by providing hook and pile pads that extend, respectively, from the opposing belt ends **32** to the canopy central portion **42**. In such an embodiment, the hook and pile pads may be meshed together in the closed configuration to invert the canopy, and be detached as described above to permit the canopy to open. Without the reef tape, the canopy would have a more spherical shape in the open configuration and hence generate less aerodynamic drag.

This detailed description is set forth only for purposes of illustrating examples of the present invention and should not be considered to limit the scope of the invention in any way. Accordingly, the scope of the invention is defined by the appended claims and their equivalents.

What is claimed is:

**1.** A training system for increasing air resistance against the movement of a sport implement, comprising:

- (a) a sport implement that can be used in a sport in which the implement is swung to strike an object; and
- (b) an inflatable canopy coupled to the sport implement and wherein motion of the sport implement inflates the canopy so that the canopy exerts aerodynamic drag on the sport implement when the sport implement is moving.

**2.** The training system of claim **1** wherein a plurality of suspension lines interconnect the canopy to the sport implement.

**3.** The training system of claim **2** wherein a mesh is attached across at least two of the suspension lines.

**4.** The training system of claim **1**, further comprising a reef tape having a first end and a second end, the first end

## 6

coupled to the sport implement and the second end coupled to a central portion of the canopy.

**5.** The training system of claim **4** wherein a portion of the reef tape proximate the first end is removably attached to a portion of the reef tape proximate the second end, thereby reefing the canopy.

**6.** The training system of claim **1** further comprising an attachment device coupled to the canopy for attaching the canopy to the sport implement.

**7.** The training system of claim **1** wherein the canopy includes a central portion and a periphery and further comprising a release device coupled to the central portion of the canopy and the sport implement thereby configuring the canopy in a reefed configuration having low aerodynamic drag and whereby the release device releases to permit the canopy to inflate into an open configuration having greater aerodynamic drag than the reefed configuration thereby increasing aerodynamic resistance on the sport implement when the sport implement is moving.

**8.** The training system of claim **7**, further comprising a reef tape having a first end and a second end, the first end coupled to the sport implement and the second end coupled to a central portion of the canopy, wherein the release device comprises a first portion located proximate the reef tape first end and a second portion located proximate the reef tape second end, the first portion releasably couplable to the second portion so that when the first portion is coupled to the second portion the canopy is secured in the reefed configuration and when the first portion is decoupled from the second portion the canopy is in the open configuration.

**9.** The training system of claim **8** wherein the first portion decouples from the second portion when the canopy applies a predetermined force on the reef tape.

**10.** The training system of claim **7** wherein the canopy in the reefed configuration is partially invaginated thereby defining a trough along an uninverted peripheral margin portion, wherein the trough fills with air to initiate the opening of the canopy when the sport implement moves through the air.

**11.** A method of training for a sport that uses a sport implement that is swung to strike an object, the method comprising the steps:

- (a) attaching a drogue to a sport implement, the drogue comprising a canopy;
- (b) swinging the sport implement to simulate a motion associated with a use of the sport implement during a sport for which the sport implement is intended, wherein swinging the sport implement inflates the drogue canopy so that the canopy exerts an aerodynamic resistance force on the sport implement.

**12.** The training method of claim **11** further comprising the step of reefing the canopy by coupling portions of a break-away fastener so that during the step of swinging the sport implement the break fastener decouples and the canopy inflates suddenly thereby simulating an impact force of the sport implement with an object.

\* \* \* \* \*