



US006251034B1

(12) **United States Patent**
Eggiman et al.

(10) **Patent No.:** **US 6,251,034 B1**
(45) **Date of Patent:** **Jun. 26, 2001**

(54) **BALL BAT**

5,722,908 3/1998 Feeney et al. .

(75) Inventors: **Michael D. Eggiman**, Hillsboro; **Mark A. Fritzke**, Portland, both of OR (US); **Steven J. Maier**, Underwood, WA (US)

FOREIGN PATENT DOCUMENTS

51-13165 4/1976 (JP) .
4-303477 10/1992 (JP) .
5-23407 2/1993 (JP) .

(73) Assignee: **Wilson Sporting Goods Co.**, Chicago, IL (US)

Primary Examiner—Mark S. Graham

(*) Notice: Subject to any disclaimer, the term of this patent is extended or adjusted under 35 U.S.C. 154(b) by 0 days.

(74) *Attorney, Agent, or Firm*—Klarquist Sparkman Campbell Leigh & Whinston, LLP

(57) **ABSTRACT**

(21) Appl. No.: **09/108,754**

The present invention provides an insert, or sleeve, for use in a baseball or softball bat that improves power transfer from the bat to the batted ball. The insert includes multiple layers of composite material. Most of the layers include fibers that are directed substantially circumferentially about the insert. Since the largest component of stress within the insert produced by an impact with a ball is typically compressive hoop stress, which is directed substantially circumferentially about the insert, the circumferential layers are able to withstand the majority of the stress produced by an impact. The insert also includes non-circumferential layers that serve to hold the circumferential layers together and withstand the smaller stresses in other directions. Because the insert has its greatest strength in substantially the circumferential direction, less material is required to withstand the stress produced by repeated impacts with a ball. The insert also produces a bat having superior impact response characteristics.

(22) Filed: **Jul. 1, 1998**

(51) **Int. Cl.**⁷ **A63B 59/06**

(52) **U.S. Cl.** **473/567; 473/566**

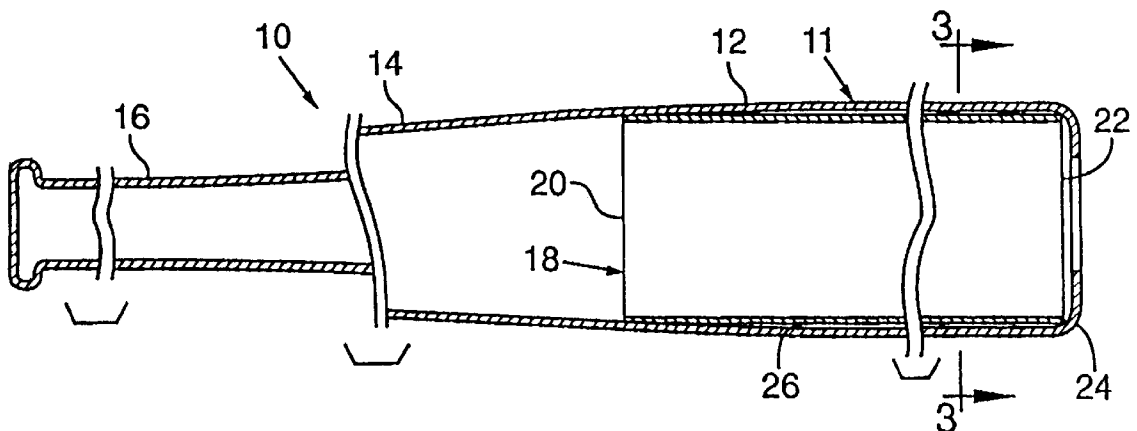
(58) **Field of Search** **473/457, 564-568**

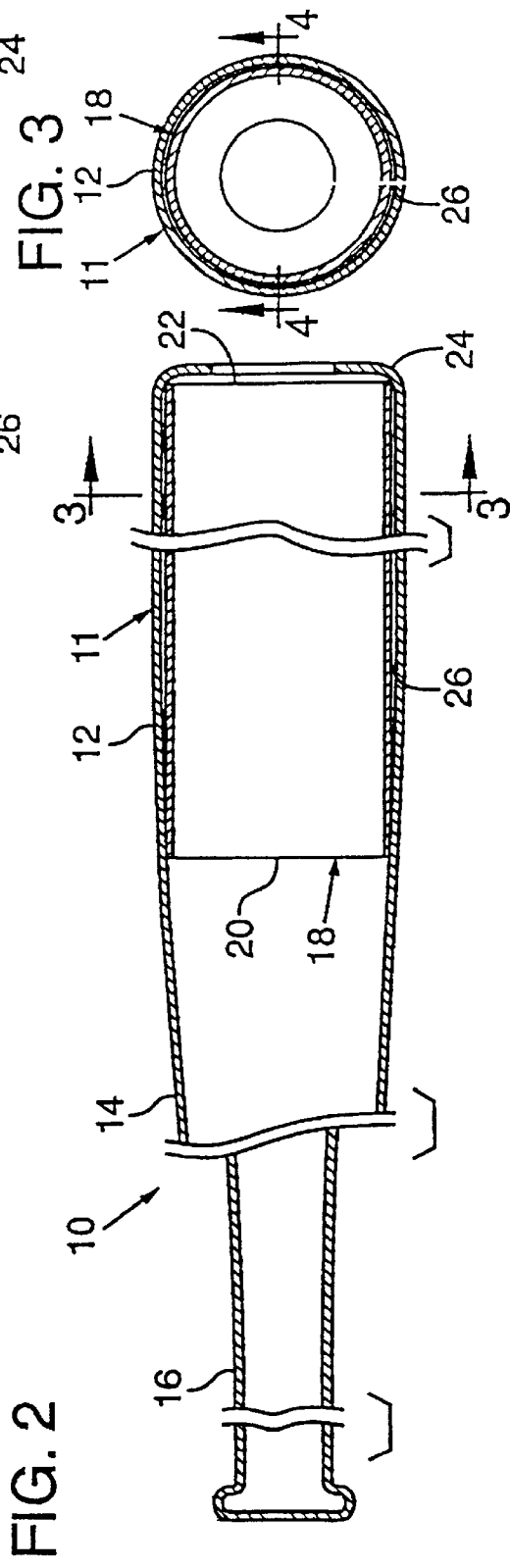
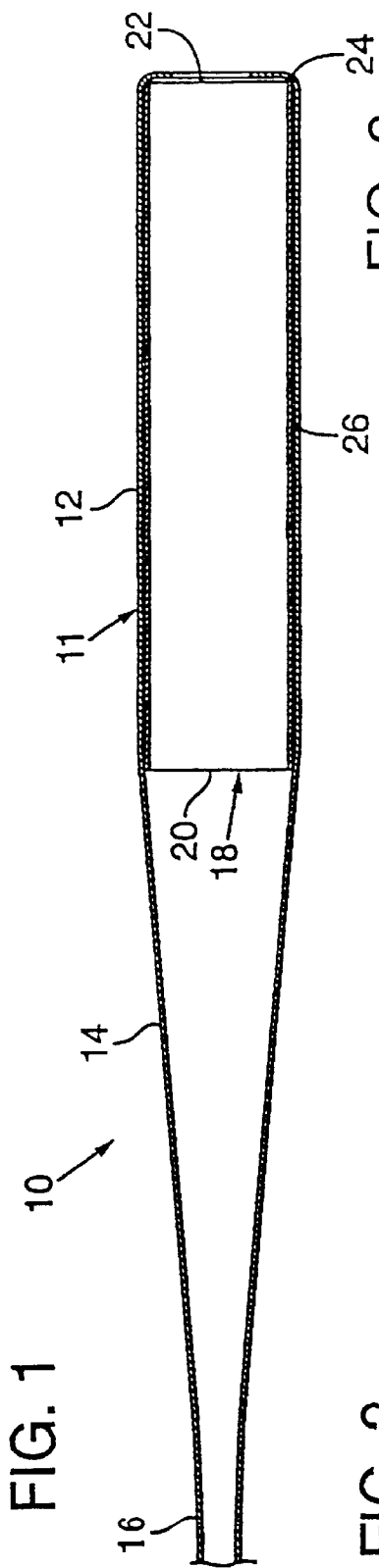
(56) **References Cited**

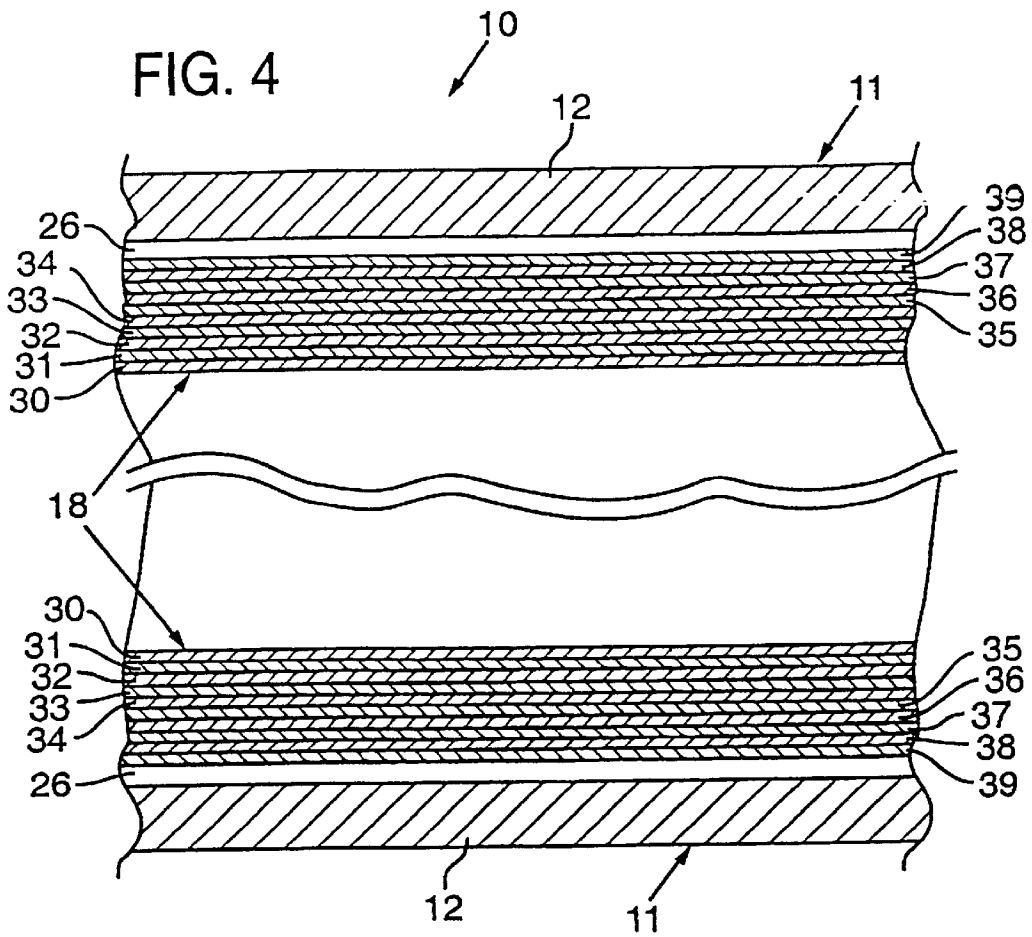
U.S. PATENT DOCUMENTS

3,876,204	4/1975	Moore et al. .
3,963,239	6/1976	Fujii .
4,569,521	2/1986	Mueller .
4,848,745	7/1989	Bohannon et al. .
4,933,040	6/1990	Wesley, Jr. .
5,104,123	4/1992	Okitsu et al. .
5,364,095	11/1994	Easton et al. .
5,415,398	5/1995	Eggiman .
5,458,330	10/1995	Baum .
5,511,777	4/1996	McNeely .

10 Claims, 2 Drawing Sheets







1

BALL BAT

FIELD OF THE INVENTION

The present invention relates to softball and baseball bats and more particularly relates to the use of supportive structural members to improve the bat's impact response.

BACKGROUND OF THE INVENTION

Tubular metallic softball and baseball bats are well known in the art. A familiar example is a tubular aluminum bat. Particular embodiments of inserts for tubular baseball and softball bats are known in the art. Eggiman's U.S. Pat. No. 5,415,398 (Eggiman), which is incorporated herein by reference, concerns a softball bat, including an insert to provide structural support to the bat. The Background section of Eggiman discusses some prior designs produced in the continuing quest for bats with a better "slugging" capacity. Eggiman also discusses the desire to have bats with large elastic deflections, but without plastic deflection upon impact.

Eggiman discloses a tubular insert that fits within the frame of the bat, and is movable relative to the bat. In one embodiment the insert is separated from the frame by a gap that allows movement of the frame relative to the bat. Such an insert improves the impact response of the bat by increasing elastic deflection without allowing plastic deflection. The Eggiman softball bat is a considerable improvement over prior bat designs providing increased power transfer from the bat to the ball.

Nevertheless, the need for a bat with even better slugging capacity continues. It is desirable to improve the slugging capacity of bats without adding significant weight. This is particularly difficult in baseball bats where high impact forces require greater structural integrity within the bat to prevent unwanted plastic deformation. Prior baseball bats that provide this structural integrity typically added significant weight to the bat, did not allow sufficient elastic deformation within the bat, or decreased the diameter of the bat in the impact area to compensate for the added weight to the bat.

A further problem with prior bats is the size of the optimal hitting area or "sweet spot" of the bat. The sweet spot is typically located near the center of the impact area of the bat. The performance of the bat declines considerably when a ball impacts the bat outside the sweet spot, for example near the end of the bat. Typically, such an impact results in greater vibrations being felt by the user and decreased energy transfer from the bat to the ball.

Composite materials have been used to form the structural components of bats to improve their performance. An example is U.S. Pat. No. 5,364,095 by Easton. Easton discloses a tubular metal bat that is internally reinforced with a fiber composite sleeve. The Easton sleeve consists of multiple fiber layers, with each layer having bi-directional woven fibers that are directed at 0 and 90 degrees relative to the axis of the bat. The sleeve is formed so that it is bonded to the aluminum frame and it presses outwardly on the frame to produce a pre-load stress of several thousand pounds per square inch. This design does not allow for sufficient elastic deformation of the external frame of the bat. Moreover, the properties of the Easton composite sleeve are essentially isotropic.

BRIEF SUMMARY OF THE INVENTION

The present invention provides an improved insert, sleeve, or tubular member, for use with a baseball or softball

2

bat that improves power transfer from the bat to the batted ball and that overcomes the shortcomings of the prior art. More specifically, the present invention provides a tubular member having anisotropic properties such that the tubular member is stronger in the direction of the greatest stress produced by an impact with a ball. By producing such anisotropic properties, less material, and therefore less weight, is required to produce the necessary stiffness and strength within the tubular member. Moreover, the impact response of the bat is improved.

In a preferred embodiment, the tubular member includes multiple layers of composite material. Each layer includes fibers that are directed substantially circumferentially about the tubular member. Since the largest component of stress within the tubular member produced by an impact with a ball is typically compressive hoop stress, which is directed substantially circumferentially about the tubular member, the circumferential layers are able to withstand the majority of the stress produced by an impact. The tubular member also includes non-circumferential layers that serve to hold the circumferential layers together and withstand the smaller stresses in other directions.

Also in a preferred embodiment, the tubular member is secured to the bat at each end of the tubular member. The intermediate portion of the tubular member is able to move freely relative to the tubular frame of the bat, thus allowing the tubular member to act as a leaf spring when the frame of the bat elastically deflects and impacts the tubular member.

The invention also provides a process for making the tubular member and a bat including the tubular member. The process includes positioning composite layers adjacent each other, such that each layer is tubular, and orienting at least one of the layers, such that unidirectional fibers supported within that layer extend substantially circumferentially. In one embodiment, the process includes wrapping the layers about a mandrel and subsequently curing the layers by heating the layers and applying pressure to the layers while they are heated.

BRIEF DESCRIPTION OF THE DRAWINGS

FIG. 1 shows a sectional view through the center of a bat incorporating an embodiment of the present invention.

FIG. 2 is a magnified cutaway view of the bat of FIG. 1.

FIG. 3 is a sectional view taken along line 3—3 of FIG. 2.

FIG. 4 is a magnified sectional view taken along line 4—4 of FIG. 3.

DESCRIPTION OF PREFERRED EMBODIMENT

FIG. 1 shows a softball bat **10** according to one embodiment of the present invention. However, it should be appreciated that the present invention is also well suited for baseball bats. The bat **10** has a tubular frame, or tubular member, **11** with a relatively large constant-diameter impact portion **12**, an intermediate tapering portion **14**, and a relatively small-diameter handle portion **16**. In other embodiments, such as baseball bat applications, the impact portion also may be tapered.

In a preferred embodiment of the present invention, a tubular member, or insert, **18** is suspended within the impact portion **12** of the tubular frame **11**. Preferably, the insert **18** is secured to the tubular frame **11** by a first interference fit wherein a first end **20** of the insert contacts the intermediate tapering portion **14** of the tubular frame **11**, and a second interference fit wherein a second end **22** of the insert

contacts the head portion **24** of the tubular frame **11**. Alternatively, the insert **18** may be held within the tubular frame **11** in some other way, such as by fasteners. In one embodiment of the invention, the second end **22** of the insert **18** extends into an end plug which forms a closure for the tubular frame **11** at the head portion. The end plug, in turn, holds the second end **22** in place.

In a preferred embodiment of the present invention, a gap **26** exists between the tubular frame **11** and the insert **18**. The gap **26** allows the tubular frame **11** to undergo some elastic deflection before contacting the insert **18**. In a preferred embodiment of the present invention, a lubricant is disposed within the gap **26** to promote free movement between the insert **18** and the tubular frame **11**. However, the lubricant may be omitted if the insert **18** will move freely within the tubular frame **11** even without the lubricant. The size of the gap **26** will vary depending on the size and type of bat. In some applications, the gap is very small. The gap **26** only needs to be sufficient to allow the insert **18** and the tubular frame **11** to move independent of each other upon impact. This independent movement allows the insert to act substantially as a leaf spring upon impact. In applications wherein a larger gap **26** is present, it is often advantageous for the impact portion **12** of the tubular frame **11** to be thinner so that the frame will deflect across the gap **26** to transfer a sufficient portion of the impact load to the insert **18**.

Referring now to FIG. 4, the insert **18** is constructed using composite materials. In a preferred embodiment, the insert **18** includes multiple tubular composite layers **30–39**. The layers **30–39** are adjacent each other and are arranged in a substantially concentric manner. The number of layers **30–39** must be sufficient to withstand the repeated stresses to which the insert **18** is subjected. However, preferably only the number of layers necessary to withstand these stresses should be added, since more layers will add more weight to the insert **18**. The number of layers **30–39** will vary depending on the size and type of bat used. In a preferred embodiment, wherein the bat **10** is a softball bat, the insert **18** includes about ten layers **30–39**. In uses wherein the bat is subjected to greater stresses, such as a baseball bat, more layers may be required. For example, an insert for a baseball bat may include about 15 layers. The number of necessary layers may also vary depending on the strength and stiffness of the tubular frame **11**.

Each composite layer **30–39** includes structural material to provide structural stability, and matrix material to support the structural material. In a preferred embodiment, the structural material is a series of fibers that are supported within the matrix material. Most of the layers **32–37** include fibers that preferably extend substantially circumferentially. When the bat **10** strikes a ball, the greatest stress component on the insert **18** is directed circumferentially. Thus, the majority of the fibers are preferably directed to withstand these stresses. These layers **32–37** are often referred to as 90 degree layers or circumferential layers since they have fibers that are directed at substantially 90 degrees relative to the longitudinal axis of the layers, or substantially circumferentially. Preferably, the insert **18** also includes at least one layer that is not a circumferential layer (also referred to as a non-90 degree layer). The non-90 degree or non-circumferential layers **30, 31, 38, 39** hold the insert **18** together and withstand the smaller stresses in other directions. In a preferred embodiment, the two innermost layers **30, 31** and the two outermost layers **38, 39** are non-circumferential layers. Preferably, the four non-circumferential layers **30, 31, 38, 39** are woven layers,

wherein fibers directed at substantially 90 degrees relative to the longitudinal axis of the layers, and fibers directed at substantially 0 degrees are woven together within each layer **30, 31, 38, 39**. However, the non-circumferential layers may be unidirectional layers, wherein the fibers within the layers are parallel, and they may be located someplace besides the innermost or outermost layers.

It should be appreciated that some other layer configuration may be used that produces an insert that is most stiff and strong in a direction substantially 90 degrees relative to the longitudinal axis of the bat **10**.

The circumferential layers **32–37** preferably consist of structural materials that are strong, stiff, and durable. In a preferred embodiment, the circumferential layers **32–37** include carbon fibers. However, the fibers could be some other type of known fiber material such as Kevlar TM, or fiberglass.

The innermost non-circumferential layers **30, 31** preferably include structural material that is strong and durable. In a preferred embodiment, the structural material is fiberglass. Alternatively, the innermost layers **30, 31** may be some other type of known fiber such as carbon or Kevlar TM. The outermost non-circumferential layers **30, 31** also preferably include fibers that are strong and durable. In a preferred embodiment, the outermost layers **38, 39** include carbon fibers. The combination of the woven carbon fiber layers **38, 39** on the outside and the woven fiberglass layers **30, 31** on the inside provide strength and stiffness properties that optimize the impact response of the insert **18**. Alternatively, the outermost layers could include some other type of known fibers such as Kevlar TM, or fiberglass.

The matrix in the circumferential layers **32–37** and the non-circumferential layers **30, 31, 38, 39** is preferably sufficiently durable and has sufficiently high adhesion properties to continue supporting the structural material even after repeated impacts. In a preferred embodiment, the matrix material is a toughened epoxy. Alternatively, the matrix can be some other thermally setting resin such as a polyester or vinyl ester. Persons skilled in the art will appreciate that a thermoplastic resin can be used, rather than a thermally setting resin.

As an example, wherein the insert **18** is used in a softball bat **10**, the tubular frame **11** has a yield strength of 80,000 pounds/inch² and the impact portion **12** is about 13 inches long with a wall thickness of 0.058 inch. The insert **18** is slightly shorter than the impact portion **12** and has ten layers, with the two inner layers **30, 31** and the two outer layers **38, 39** being woven and the remainder being unidirectional circumferential layers **32–37**. The unidirectional layers **32–37** are typically 0.005–0.007 inch thick, while the woven layers are typically 0.008–0.009 inch thick. The outer diameter of the insert **18** is such that a gap **26** of about 0.007 inch exists between the outer surface of the insert and the inner surface of the impact portion **12** of the tubular frame **11**. However, it should be understood that these dimensions are illustrative only, and that the dimensions may be altered while maintaining the advantages of the present invention.

Alternatively, the number of layers in the insert, and thus the thickness of the insert may vary along the length of the insert. For example, the end of the insert adjacent the tapering portion of the frame may have fewer layers than the remainder of the insert. Such an embodiment is advantageous, as it has more thickness and strength in the area where most impacts occur, while it has less thickness and less weight in the area where less impacts occur. Thus, the varying thickness may result in a lighter bat that still has sufficient strength and durability.

In an alternative embodiment of the present invention, the tubular member may be a sleeve that is disposed around the impact portion of the frame. The construction and orientation of the sleeve are similar to the insert described above. The sleeve has first and second ends adjacent the frame and an intermediate portion that is freely movable relative to the frame. The sleeve in this embodiment operates similarly to the insert described above, except that upon impact the sleeve is the member which initially deformed and forced into engagement with the underlying impact portion of the frame.

The greater stiffness and strength in substantially the circumferential direction produced by the layer configuration of the tubular member **18** produces several advantages. Because the direction of greatest strength and stiffness is substantially aligned with the direction of greatest stress upon impact, less material is required. Thus, less weight is required for the tubular member **18**. Bat designs may exploit this advantage by producing a lighter bat or by increasing the length of the barrel or some other dimension.

The tubular member **18** also produces a bat **10** with superior impact response. This is especially true of impacts near the end of the bat **10**, where impact response is usually poor. A possible explanation for this improved impact response is that the anisotropic strength and stiffness allow the tubular member **18** to retain its stiffness and strength even near the ends. Upon impact, a member such as the tubular member **18** receives much of its strength and stiffness from the supporting material surrounding the point of impact. In material having isotropic properties, such as metal, this support is received from the material surrounding the impact in all directions. Thus, when an isotropic tubular member is impacted near its end it does not receive adequate support because there is not as much material in the longitudinal direction surrounding the point of impact. However, with materials having anisotropic properties, such as the insert, or sleeve, of the present invention, most of the support is received from the material in the direction of the greatest stiffness and strength. Thus, in the embodiment described above, the support comes mainly from the material located circumferentially from the point of impact. Since the point of impact relies very little on the material in the longitudinal direction for support, even if the point of impact is very near the end of the tubular member **18**, it is adequately supported. Thus, the optimal hitting area or "sweet spot" of the bat **10** is enlarged by the present invention.

In constructing the bat **10** of the illustrated embodiment of the present invention, the tubular frame **11** is preferably formed from aluminum. The tubular member, insert, or sleeve, **18** is then formed and secured to the tubular frame **11**. The tubular frame **11** is formed using known methods. In a preferred embodiment, the tubular frame is swaged from a constant diameter aluminum tube to yield an integral, weld free frame. Such swaging results in a tubular frame **11** with thinner walls at the impact portion **12** and thicker walls at the handle portion **16**. While swaging is used to produce the tubular frame **11** of the illustrated embodiment, it should be understood that other methods of manufacturing the tubular frame may work equally as well.

The tubular member **18** is preferably formed by wrapping sheets of prepregged composite material around a mandrel. A first layer **30** is wrapped on the mandrel, followed by a second layer **31**, etc. until the desired number of layers have been wrapped around the mandrel to form the tubular member **18**.

Alternatively, the layers **30-39** may be formed by some other method, such as a filament winding process. With a

filament winding process, a continuous fiber, rather than a prepregged sheet as described above, is wrapped around a mandrel. The filament winding process may use a prepregged fiber. Alternatively, the continuous fiber may run through a resin bath before it is wrapped onto the mandrel. The filament winding process typically winds the fiber in a helical path along the mandrel, making it difficult to produce a layer having fibers that are at exactly 90 degrees relative to the longitudinal axis of the layers. Thus, the circumferential layers **32-37** may include layers that are at an angle of substantially 90 degrees, but are not exactly 90 degrees.

Preferably, the tubular member **18** is then wrapped in shrink tape and placed in an oven between 250 and 300 degrees Fahrenheit for about 45 minutes to one hour. The shrink tape preferably is temperature resistant and has high shrinkage and compaction capabilities when it is heated. Heating the tubular member **18** speeds the curing process, but the tubular member **18** may be allowed to cure at a lower temperature for a longer period of time. For example, the tubular member **18** may be allowed to cure at room temperature for several days. The oven heats the shrink tape, causing it to pressurize the tubular member **18** by shrinking around it. The pressure forces entrapped air out of the tubular member **18**. In a preferred embodiment, a pressure of 80 psi is applied to the tubular member **18** during curing. However, the pressure may range from 15 to 150 psi depending on the flow properties of the matrix material used. Alternatively, some other known apparatus may be used to pressurize the tubular member **18** during curing, such as a bladder, an autoclave or a vacuum bag.

After the tubular member **18** has cured, it is secured to the tubular frame **11** of the bat **10**. In a preferred embodiment, wherein the tubular member is held between two interference fits, the head portion **24** of the tubular frame **11** is crimped to form the second interference fit with the second end **22** of the tubular member **18**. Alternatively, if the tubular member **18** is to be held in place by an end cap, the end cap is formed at the head portion of the bat to support the tubular member.

In view of the wide variety of embodiments to which the principles of the invention can be applied, it should be apparent that the detailed embodiments are illustrative only and should not be taken as limiting the scope of the invention. Rather, the claimed invention includes all such modifications as may come within the scope of the following claims and equivalents thereto.

What is claimed is:

1. A bat comprising:

a first tubular member; and

a second tubular member substantially concentric with the first tubular member, having its greatest strength in a substantially circumferential direction, the second member including first and second ends adjoining the first member, and a central portion intermediate the first and second ends that is freely movable relative to the first member, wherein the second member comprises plural tubular layers, each layer comprising a matrix and structural material supported by the matrix, at least one of the layers is a circumferential layer comprising fibers that extend substantially circumferentially and at least one of the layers is a non-circumferential layer comprising fibers that do not extend substantially circumferentially.

2. The bat of claim 1, wherein the first member is a frame.

3. The bat of claim 2, wherein the frame comprises a handle portion and an impact portion, the second member being positioned adjacent the impact portion.

7

- 4. The bat of claim 1, wherein the number of circumferential layers is greater than the number of non-circumferential layers.
- 5. The bat of claim 1, wherein the layers include an innermost layer that is a non-circumferential layer and an outermost layer that is a non-circumferential layer.
- 6. The bat of claim 1, wherein the structural material comprises carbon.
- 7. The bat of claim 1, wherein the matrix comprises epoxy.
- 8. The bat of claim 1, wherein the central portion of the second member is separated from the first member by a gap.
- 9. The bat of claim 8, wherein the gap contains lubricant.
- 10. A bat comprising:
 - a first tubular member; and
 - a second tubular member substantially concentric with the first tubular member, having its greatest strength in a substantially circumferential direction, the second

8

member including first and second ends adjoining the first member, and a central portion intermediate the first and second ends that is freely movable relative to the first member, wherein the second member comprises plural tubular layers, each layer comprising a matrix and fibers supported by the matrix, at least one of the layers is a circumferential layer comprising fibers that extend substantially circumferentially, at least one of the layers is a non-circumferential layer comprising fibers that do not extend substantially circumferentially, the number of circumferential layers is greater than the number of non-circumferential layers, and the layers include an innermost layer that is a non-circumferential layer and an outermost layer that is non-circumferential layer.

* * * * *